



TRAILMATE

www.trailmate.com

JUNIOR JOYRIDER

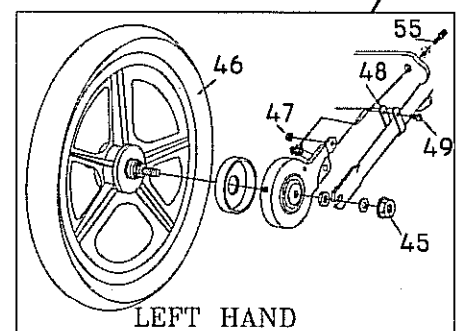
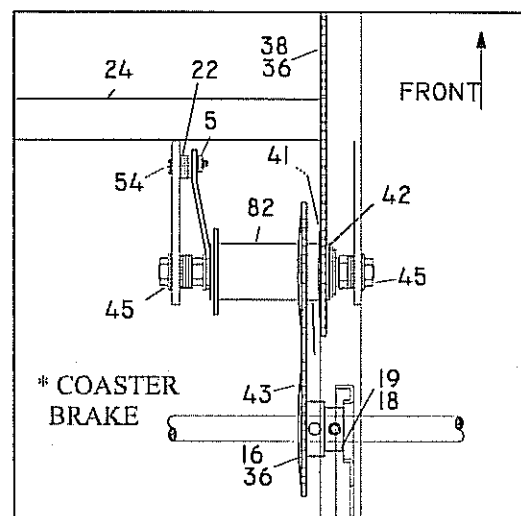
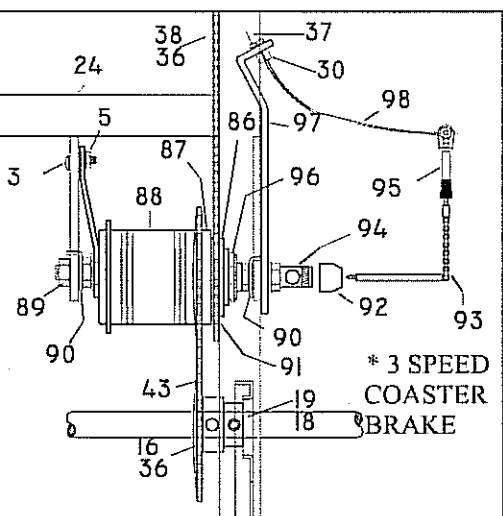
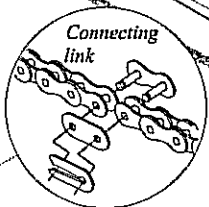
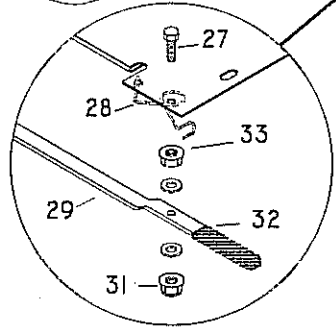
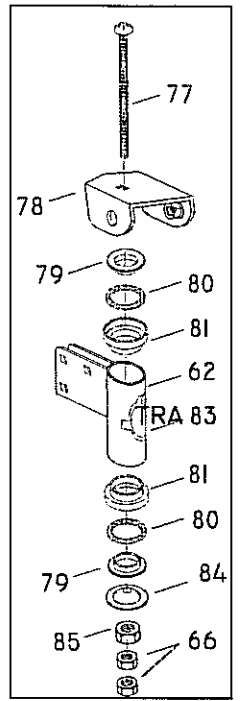
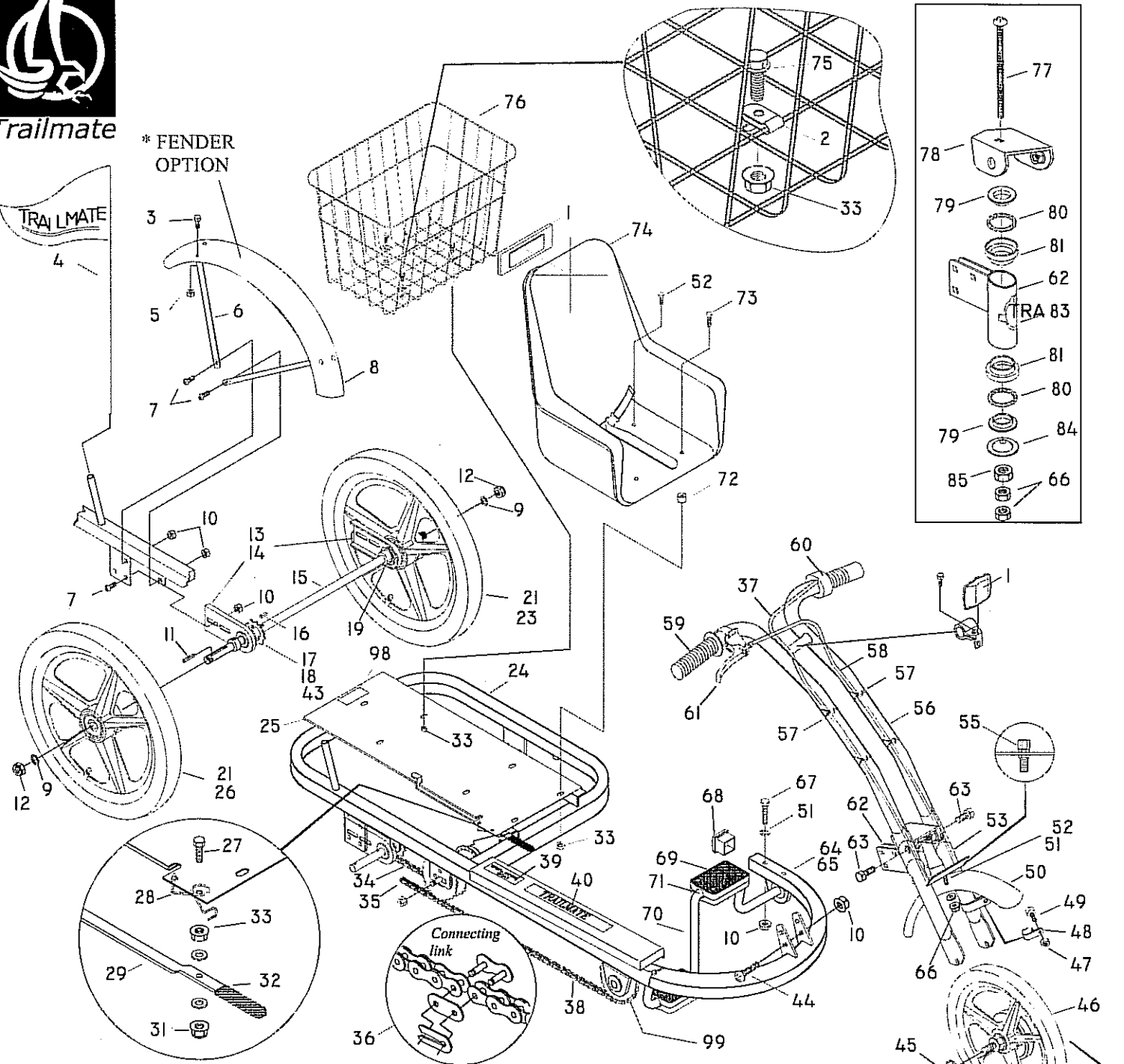


OWNER'S GUIDE



Trailmate

ILLUSTRATED PARTS BREAKDOWN JR JOY RIDER



LEFT HAND VIEW
#17003 10.03.06

Junior Joy Rider Parts list.

Item	Part #	Description	QTY	Item	Part #	Description	QTY
1	11872	Reflector kit Junior Joy Rider	1	51	12236	Washer 5/16 SAE	3
2	12069	Basket hold down	3	52	11274	Screw 1/4-20x5/8 carriage	3
*3	12191	Screw 10-32x1/2 HHCS	9	53	17689	Fork JR JOY	1
4	12102	Safety flag w/o bracket	1	*54	12193	Screw 10-32x1" PHL PAN HD	1
*5	12170	Nut 10-32 HEX KEPS	1	55	17851	Adj barrel & nut band brake	1
*6	11222	Fender brace JR. JOY RIDER	4	56	11242	Handlebar JR JOY	1
7	12215	Screw 5/16-18x3/4" carriage	4	57	12269	Tie cable black 8x.18	8
*8	12863	Fender	2	58	18227	Brake cable JR/JUNR/DJ	1
9	12240	Washer spacer 1x41/64x.062	3	59	11801	Grip handle red/black	2
10	12175	Nut 5/16-18 flanged	10	*60	19709	Grip shifter 3sp	1
11	20012	Key square 3/16x1-1/4	1	61	11654	Brake caliper LCK.LVR ALLOY	1
12	19720	Nut 5/8-18 nylon insert	2	62	16789	Head tube assy.	1
13	18220	Axle bearing holder RR	2	63	16937	Screw 3/8-16x3/4 WHIZ-LOC	2
14	11642	Bearing SP	2	64	11642	Bearing axle 5/8" ASF	2
15	20015	Axle, Rear Threaded Ends	1	65	18449	Bearing holder top	1
16	12246	Key square 3/16x5/8	2	66	11064	Nut 5/16-18 side lock	2
17	11949	Freewheel 22T & adapter	1	67	12212	Screw 5/16-18x1-1/2	2
18	11066	Set screw 5/16-18x5/16 HEX	4	68	16554	Plug plastic	1
19	12241	Set collar 5/8"	4	69	19181	Pedal halves JOY Rider	4
20	19361	Sprocket 32T w/adapter	1	70	11126	Crank JUNIOR JR.	1
21	11959	Tire 16x1.75 BSW w/tube	2	71	19206	Retaining ring	2
22	12229	Washer #10 flat	6	72	12239	Spacer 1/2 CB/3spCB	2
23	13282	WHL 16" MAG w/bearing	1	73	17599	Screw 1/4-20x1-1/2 carriage	2
24	16487	Frame JR.JOY RIDER	1	74	11212	Seat JR JOY	1
25	16938	Base JR.JOY seat/basket	1	75	16699	Screw 1/4-20x5/8 flange head	3
26	18847	Wheel 16"Mag JR. JOY w/insert	1	76	13385	Basket JR. JOY	1
27	18089	Screw 1/4-20x7/8 flange	1	77	18197	Screw 5/16-18x5 carriage	1
28	17348	Spring JR. JOY/DBL JOY	1	78	19736	Fork bearing holder UPR ASSY	1
29	14067	Lever seat adjust JR JOY	1	79	11827	Head lower fork stn. Cone	2
*30	12285	Hub 3spcb plastic stopper	1	80	11821	Head bearing	2
31	11061	Nut 1/4-20 nylon insert	1	81	11830	Head cups	2
32	17160	Grip handle 3/8x2.25	1	*82	11667	Hab CB trike Shimano	1
33	12172	Nut 1/4-20 flanged	9	83	11718	Decal TM head	1
*34	19704	Chain short JR.JOY 43 pitch	1	84	18265	Fork bearing holder LWR	1
35	19701	Chain JR. JOY 125 pitch	1	85	11073	Nut 3/8-16 side lock	1
36	11679	Chain connecting link	2	*86	18984	Washer sprocket spacer S/A	1
*37	19711	Cable grip shifter 89-1/2"	1	*87	18983	Dust ring S/A	1
*38	19703	Chain long JR. JOY 103 pitch	1	*88	18913	Hub 3spcb trike w/22 sprocket	1
39	14089	Decal "Avoid sharp turns"	1	*89	18049	Nut axle sturmy HMN 118	1
40	11719	Decal TM chainguard	1	*90	18986	Washer antiturn S/A	2
*41	16960	Hub cb dust ring Shimano	1	*91	18909	Sprocket 21T	1
*42	16961	Hub cb snap ring Shimano	1	*92	18993	Indicator protector S/A	1
*43	11952	Sprocket 22T solid w/adapter	1	*93	18997	Indicator chain 3sp S/A	1
44	12211	Screw 5/16-18x1-3/4"	2	*94	18985	Nut axle right S/A	1
45	19002	Nut 3/8-24 flanged	4	*95	18998	Adjusting barrel S/A	1
46	11078	WHL 12.5x2.25 w/tire&tube	1	*96	18982	Snap ring S/A	1
47	19154	Band brake arm nut	1	*97	18746	Hub holder 3spcb guide	1
48	19156	Band brake arm strap	1	98	19325	Decal 'Do Not Stand on Cycle'	1
49	19155	Band brake arm screw	1				
50	20181	Fender 12" front JR/JUNR/DJ	1				

*-Options parts

#17003

10.03.06

Jr. Joyrider Assembly Instruction

1. Preparation

Remove all parts from the carton. Do not remove protective wrapping until necessary.

Check tire air pressure and inflate to 35psi. Make sure tires are properly seated on rims.

2. Seat Assembly

Install seat Jr. Joyrider (74) to the base Jr. Joy seat/basket (25) using bolts (73), (52), spacers (72) and nut (33). Be sure to tighten all nuts connecting.

(see figure 1.)

Slide the seat & basket assembly over the frame rail and adjust the side lever for the operator's best leg and arm position

(see figure 2.)

3. Handlebars

Remove two carriage bolts (44) and nuts (10) from the handlebar assembly. Insert the handlebar assembly into the two brackets at the front of the frame, and secure with the bolts (44) and nuts (10). Adjust the handlebar for the best position

(handlebar should be tight but able to move forward and backward to allow for easy entry and exit).

4. Handbrake

Before riding, roll the Jr. Joyrider back and forth and apply the brake lever. If the stopping action is not quick, tighten brake cable by loosening the nut on the bottom of the adjusting barrel (55) and turning the adjusting barrel clockwise (see figure 3). Once the braking action is firm, tighten the nut and adjusting barrel.

The brake lever may be set by pulling back the brake lever, pushing down the spring loaded button, and releasing the lever; the button should stay in the pressed position. To return brake to its normal position, pull back brake lever – allowing the button to pop-up and release the lever.

5. Final Check

Complete by installing rear red and front clear reflectors on places (see figure 1. and Illustrated Parts Breakdown), safety flag (4) in the holder. Review the instruction, check connecting bolts and screws for tightness, and readjusting the seat and handlebar as necessary.

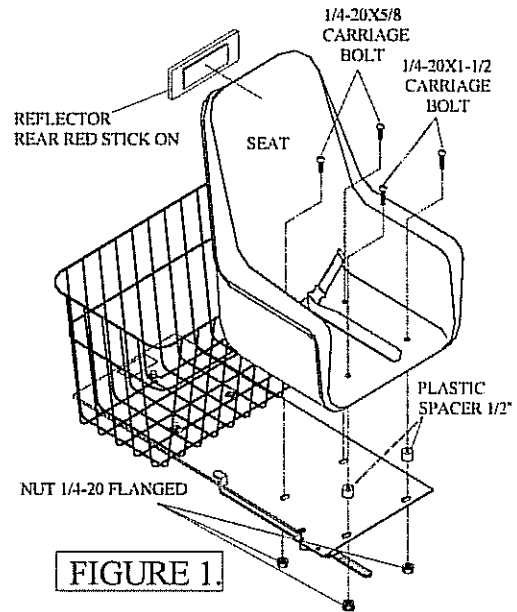


FIGURE 1.

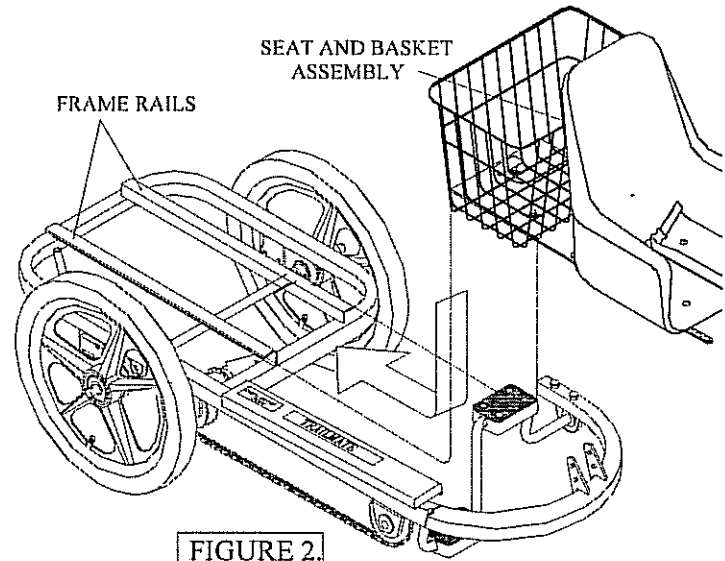


FIGURE 2.

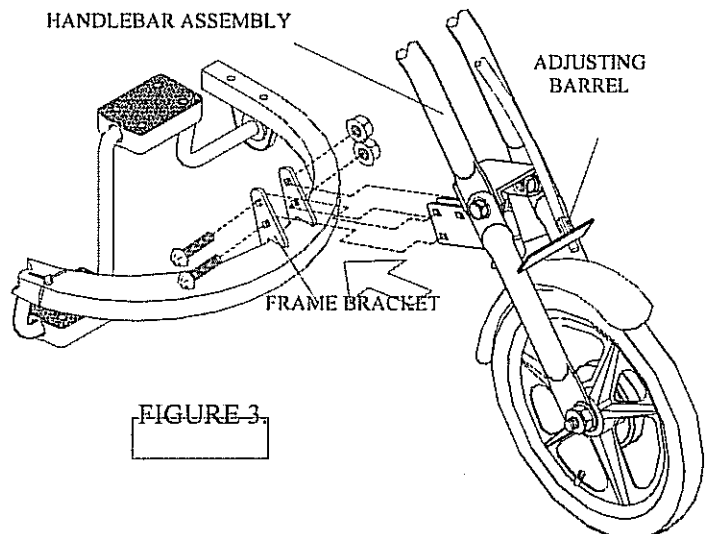


FIGURE 3.

MAINTENANCE AND INSPECTION

REGULAR MAINTENANCE: Bi-Monthly

1. Keep all painted parts cleaned and waxed for along-lasting luster.
 2. Lubricate the following:
 - Axle shafts
 - Chain- turn pedal crank forward and spray freely.
 3. When storing over prolonged periods, turn upside down to prevent flats from occurring on the tires. If stored outside, cover to protect finish and moving parts.
-

PREVENTIVE MAINTENANCE: Every Six Months

These are services that should be performed by you local bicycle shop. A fee may be charged.

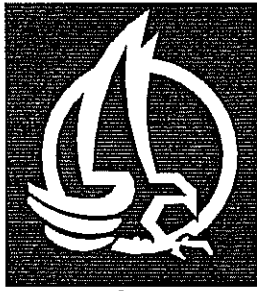
1. Check tires for wear, rim cuts and valve core alignment (usually caused by improper air pressure)
2. Check wheels for cracks and alignment.
3. Check brakes for proper operation.
4. Check and repack all bearings and adjust all cones.
5. Check for worn bearings, cones and cups.
6. Check chain for adjustment and clean as needed.
7. Check for loose bolts and nuts.

Attention: While your unit is new, some noises may occur when the unit is breaking in. Should they continue for more than 30 days, see local bike shop.

INSPECTION

Check the following, as it applies to your cycle, on a regular basis:

1. Hand Brake: Make sure the brake engages, by squeezing the hand brake.
2. Wheels: Check wheels for alignment.
3. Pedals: Inspect pedals and make sure pedals are tightly attached to crank.
4. Handle grips: Replace worn or loose grips.
5. Chain: Check for proper tightness. Replace damaged chain immediately.
6. Seat: Adjust seat for ride comfort and safety.
7. Tires: Keep tires inflated to the recommended tire pressure, as indicated on the tire's sidewall.
8. Frame: Replace damaged frame immediately.



Trailmate

1851 67th AVE East
Sarasota, FL 34243
Tel: (941) 755-5511
Fax: (941) 758-5141

Visit us @ www.trailmate.com

**For service or to order
replacement parts
please contact your
local Trailmate dealer.**

JR. JOY RIDER

This is a recreational unit, not designed for excessive speeds or misuse.

Do not brake or turn at high speeds. This may cause cycle to roll over. Careless operation may cause rider to lose control and result in **serious injury**.

Things to know before riding your cycle:

1. Know your local bicycle laws and wear a helmet.
2. Do not exceed the recommended weight limit of 150 lbs.
3. No more than one rider at one time.
4. Do not stand on unit.
5. Be sure to install safety flags.
6. Wear light-colored clothing and protective gear.
7. Do not ride at night.
8. Children must be supervised by an adult at all times.

Trailmate Limited Warranty

Trailmate, Inc., guarantees each cycle product against all defects in materials and workmanship for a period of 90 days from date of purchase. Tires and tubes are not covered by this guarantee.

During this period, any part that is judged by the makers to be defective will be replaced free of charge. Any failure resulting from accident, abuse, neglect, normal wear, or improper assembly or maintenance by the owner is not covered.

Trailmate, Inc., further authorizes a lifetime frame guarantee and will replace any frame, at no cost to the buyer, providing that item has not been used for rental use and that:

- 1) The item has not been altered, repaired, or modified in any way.
- 2) The item has not been subject to misuse, negligence, and/or an accident.
- 3) Original ownership is established.

Any parts under this guarantee on which claims are entered shall be returned for inspection with transportation charges prepaid by the claimant. Replacement parts will be shipped F.O.B. factory.

There are no warranties or guarantee, expressed or implied, written or oral, which extend beyond the description on the face hereof.