



**Trailmate**

www.trailmate.com

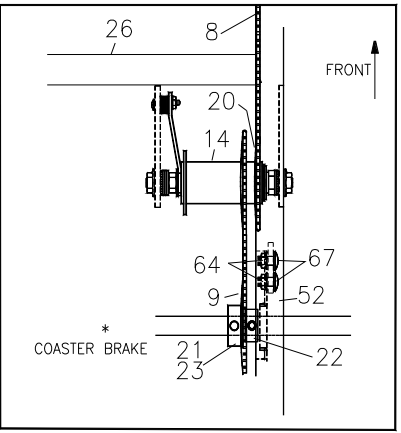
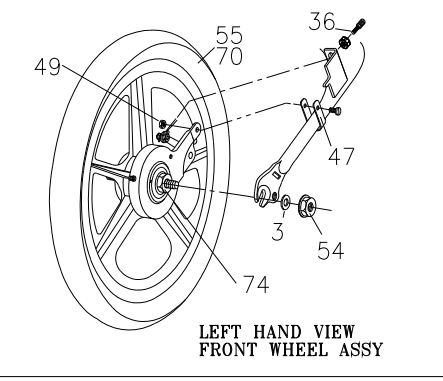
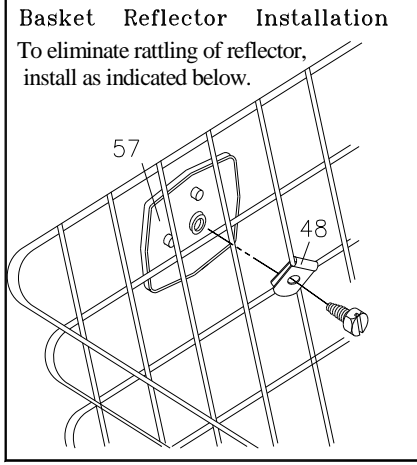
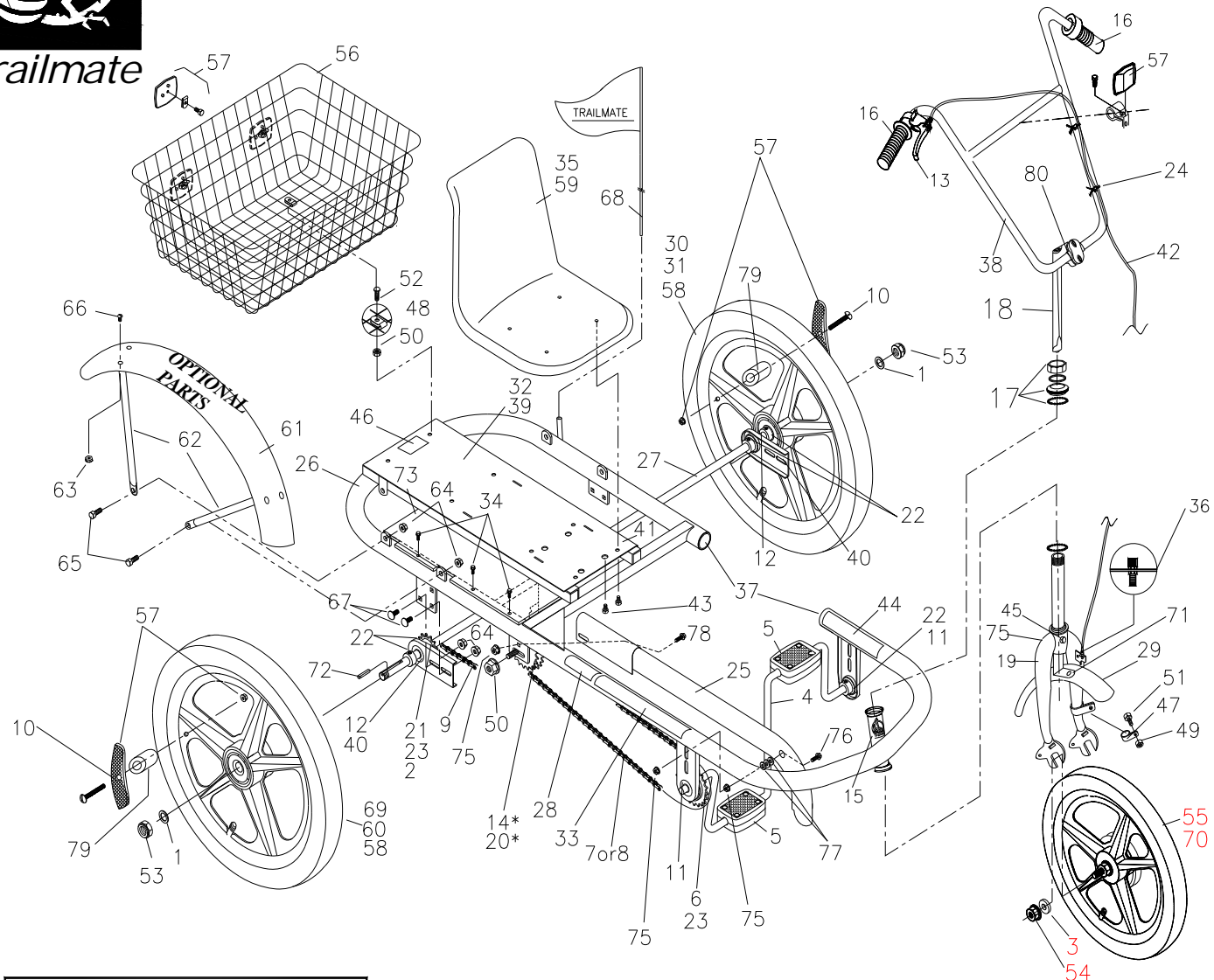
# JOYRIDER



# OWNER'S MANUAL



# JOY RIDER ILLUSTRATED PARTS BREAKDOWN



Ref #18338  
04/09/12

## JOY RIDER PARTS LIST

ITEM	#	DESCRIPTION	QTY	ITEM	#	DESCRIPTION	QTY
1	12240	WASHER 1X41/64X.062	4	41	18522	CLAMP Q/R	1
2	11949	FREEWHEEL 22T & ADP	1	42	17778	BRAKE CABLE	1
3	12301	WASHER 3/8 FLAT SAE	2	43 +	12208	SCREW 5/16-18X3/4 HHCS	4
4	18287	CRANK JOYRIDER	1	44	18335	DECAL JOYRIDER	1
5	19181	PEDAL HALF	4	45	12227	SCREW ¼-20X1 ¾ HHCS	1
6	19361	SPROCKET 32T W/ADP	1	46	19325	DECAL "DO NOT STAND ON CYCLE"	1
7	20431	CHAIN 163P JR FW	1	47	12279	BRAKE ARM STRAP	1
8	20432	CHAIN 139P JR CB LONG	1	48	12068	BASKET HOLD DOWN	6
9	19704	CHAIN 43P JR CB SHORT	1	49	19154	BAND BRAKE ARM NUT	1
10	12195	SCREW 10-32X1-1/2 RHMS	2	50	12172	NUT ¼-20 FLANGED	5
11	11642	BEARING AXLE 5/8"ID	2	51	19155	BAND BRAKE ARM SCREW	1
12	11642	BEARING AXLE 5/8"ID	2	52	16699	SCREW ¼-20X5/8 FLNGE HD	4
13	11654	BRAKE LOCKING LEVER	1	53	19720	NUT 5/8-18 NYLON INSERT	2
14	11667	HUB TRIKE CB	1	54	19002	NUT 3/8-24 FLANGED	2
15	11718	DECAL TM HEAD TUBE	1	55	11078	WHL 12.5 White w/ Tire, Tube, Brake	1
16	11801	GRIP BLACK 7/8	2	56	11639	BASKET WHITE COATED TRIKE	1
17	11831	HEAD SET COMPLETE	1	57	20450	REFLECTOR KIT JOYRIDER	1
18	20339	STEM TWO BOLT	1	58	11961	TIRE 24X1.75 BSW W/TUBE	2
19	20443	FORK 12" JOYRIDER	1	59	18206	SEAT JOY RIDER	1
20	11941	SPROCKET 20T CB	1	60	18239	Whl 24x1.75 Mag White Trike Rear	1
21	11952	SPROCKET 22T W/ADPTR	1	61*	11748	FENDER 24" MWT TRIKE REAR	2
22	12241	SET COLLAR	5	62*	18306	BRACE REAR FENDER JOY RIDER	4
23	12246	KEY SQ 3/16X5/8	2	63*	12170	NUT 10-32 HEX KEPS	8
24	12269	TIE CABLE 8 X .18	2	64	12175	NUT 5/16-18 FLANGED	8
25	18201	CHAINGUARD JOY RIDER	1	65*	12208	SCREW 5/16-18X3/4 HHCS	4
26	20392	FRAME JOY RIDER	1	66*	20281	SCREW 10-32X3/8 PH HD	8
27	20014	AXLE REAR JOY RIDER	1	67	12215	SCREW 5/16-18 X ¾ CARRIAGE	4
28	14089	DECAL "Avoid sharp turns"	1	68	12102	SAFETY FLAG W/O BRACKET	1
29	20181	FENDER 12" FRT	1	69 +	20374	Whl 24x1,75 Mag Black Trike Rear	1
30 +	20373	Whl 24x1.75 Mag JR Blk left	1	70 +	20436	Whl 12.5 Black w/Tire, Tube, Brake	1
31	18709	Whl 24x1.75 Mag JR Wht left	1	71	16769	BRACKET L	1
32 +	20403	SEAT BASE 14"	1	72	20012	KEY SQ 3/16 X 1 ¼	1
33	11719	DECAL TM CHAINGUARD	1	73	20449	CHAINGUARD JR REAR PLATE	1
34	12188	SCREW 10-32SLTD HWH	3	74	13888	NUT 3/8-24 JAM	1
35 +	11900	SEAT TRACTOR	1	75	12172	NUT ¼-20 FLANGE	4
36	17851	Band Brake barrel and nut	1	76	18089	SCREW ¼-20X7/8 FLANGE	1
37	18196	PLUG TUBE 1 ½" ID	2	77	12232	WASHER ¼ SAE	3
38	20419	HANDLE BAR JOY RIDER	1	78	12197	SCREW ¼-20X1/2 ROUND HD	1
39	20401	SEAT BASE 24"	1	79	12239	SPACER ½	2
40	18220	AXLE BEARING HLDR	2	80	20451	HANDLEBAR SHIMS JR/DJ	1

\* optional parts only

+ New items used on units with Black Wheels and tractor seat.

04/09/2012

## TOOLS REQUIRED

3/8" Wrench  
9/16" Wrench  
Adjustable Wrench

5/32" Allen wrench  
Phillips Screwdriver  
Air Pump

1/2" Wrench  
1/2" Socket Wrench  
Pliers

Common Screwdriver  
5/16" Wrench

### 1. Preparation

Remove all parts from the frame and wheel cartons. Inflate (or have inflated) tires (55 and 58) to pressure recommended on sidewalls. Make sure tires are properly seated on the rims.

### 2. Rear Wheels, Axle Assembly

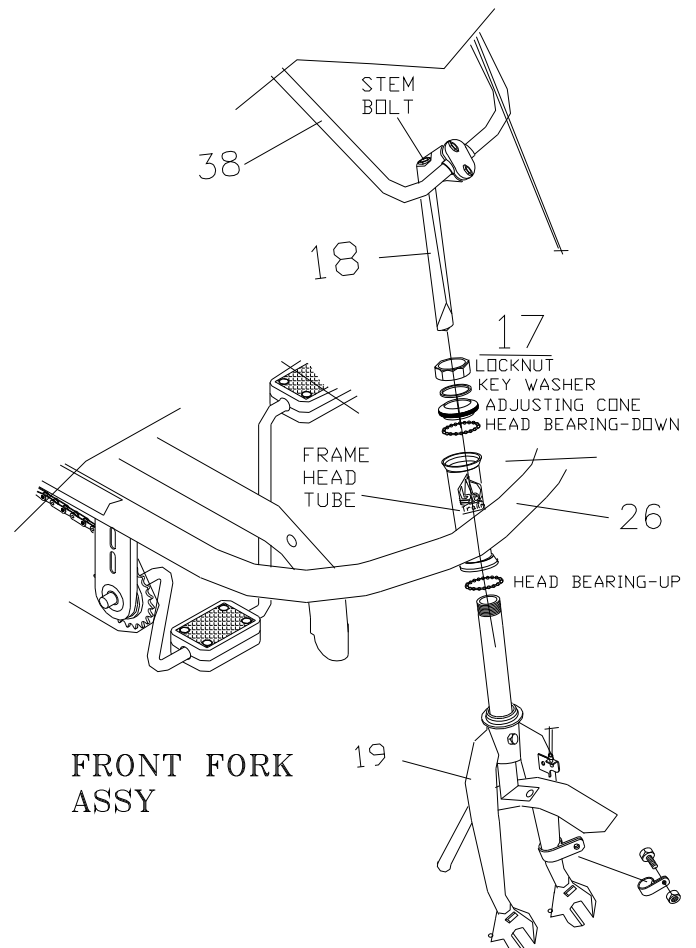
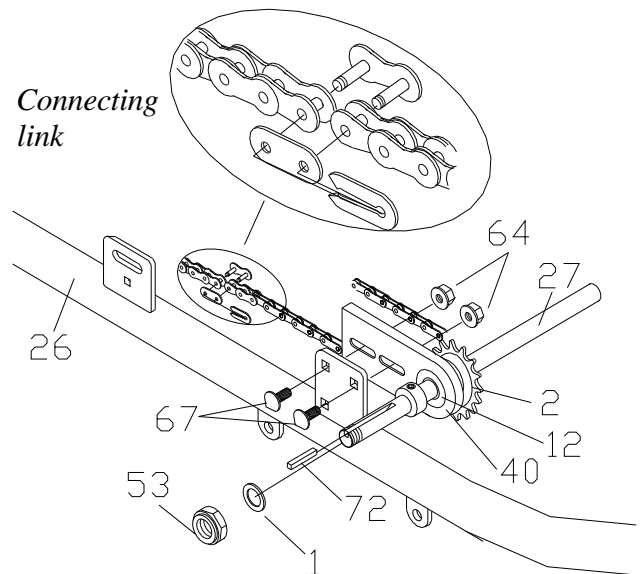
Lay the frame assembly upside down and position the rear axle assembly between the frame mounting brackets. The chain sprocket on axle must be on the same side as the chain sprocket at the pedals. Attach the axle bearing holder brackets (40) to the inside of frame mounting brackets with bolts (67) and nuts (64). Do not tighten nuts until the chain has been installed.

**Chain.** Install chain (7) over drive sprocket and rear sprocket (2) and join with connecting link. Once chain is installed, evenly pull back on the axle assembly until the chain is tight. Tighten the nuts (64) securing bearing holders to the frame.

**Wheels.** Lift up the rear of frame assembly (26) and slide the rear drive wheel (60,69) onto the right axle shaft. Line up the key ways on axle and on the wheel hub install key square (72) and washer spacer (1). Secure the wheel on the axle with the nut (53). Install non-drive wheel (30,31) and washer spacer onto the left axle shaft. Secure the wheel on axle with the nut (53). **Important:** Make certain the axle thread fully engages the nylon-locking portion of nut. Do not over tighten it can damage the wheel bearing.

### 3. Handle – Front Fork Assembly

Make sure the lower bearing cone is on the front fork assembly (19). Place head bearing (17) onto lower head cone with ball bearings facing up. Insert the fork assembly into the head cups that are pressed into the frame. Place the second bearing with ball bearings facing down into top head cup. Screw on head adjusting cone until it contacts bearing. Install head key washer, then screw on lock nut. Hold adjusting cone and tighten lock nut so there is no play in bearing fit. Insert stem (18) into top of fork. Align with fork and tighten stem in place with 6mm allen wrench. Remove the two bolts from face of stem, insert handlebar shims (80) and handlebar, then re-install the screws and tighten in place.



#### 4. Front Wheels:

Place front wheels (55 or 70) and brake assembly between the fork with the axle bolts fully into the slots on the end of the fork. Secure with washers (3) and nuts (54). The brake arm must be on the left side and in front of the fork blade.

#### 5. Hand Brake

Loosen the lock nut on the brake cable bracket (at the front wheels). Push the brake cable bracket upward as much as you can while pulling as much cable as possible through the hole in the bolt. Be sure the brake cable is seated properly in the brake lever (13) and that the adjustable "barrel nut" (36) at the fork is protruding below the fork plate as far as possible.

Secure the lock nut on the brake bracket to hold the cable in place. **NOTE:** The hand brake may require further adjusting before riding.

#### 6. Seat

Position the seat (35,59) over the mounting holes in the base seat/basket (32,39). Insert screws into bottom of the seat and secure seat.

#### 7. Basket

Position the basket (56) onto seat/basket base. Place the four basket brackets (48) over the basket wires and secure with bolts (52) and flanged nuts (50).

#### 8. Reflectors

Install the red reflectors on the back of the basket. Insert the screw provided with the reflector on the basket so the clip will capture the corner of the vertical and horizontal wires and tighten the screw. Repeat for

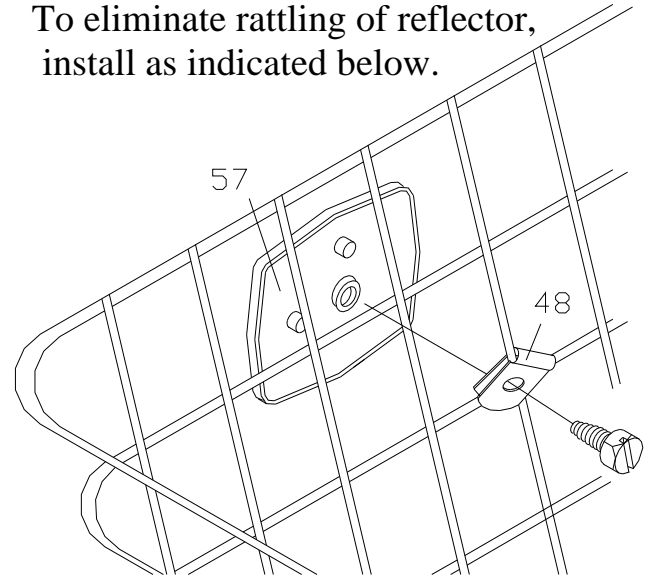
the other side. The basket reflectors should be about one foot apart. Install clean reflector on each handle cross bar. Slide plastic holder on handle cross bar. Tighten with the screwdriver and install reflector. On plastic MAG wheels install reflectors into holes using screw, spacer and nut provided.

#### 9. Final Check

Install safety flag in holder. Review the instruction, check connecting bolts and screws for tightness, and readjusting the seat and handlebar as necessary.

### Basket Reflector Installation

To eliminate rattling of reflector, install as indicated below.



#### REGULAR MAINTENANCE: Bi – Monthly

Keep all painted parts clean and waxed for a long lasting luster.

Lubricate the following:

Brake cable and pivots.

Chain – turn pedals forward and spray liberally

When storing for a prolonged period, turn upside down to prevent flat spots from occurring on tires.

If stored outside, cover to protect finish and moving parts.

#### PREVENTIVE MAINTENANCE: Every Six Months

These are services that should be performed.

At a bike shop a fee may be charged.

**Check:** tires for wear, rim cuts and valve stem alignment (results of low air pressure.)  
rims for cracks and alignment.  
brakes for proper operation.  
cones and bearings for wear.  
bearings and cones for proper adjustment, (repack bearings with grease if necessary).  
chain adjustment (clean and re-lubricate if needed).  
nuts and bolts, (retighten as required).

#### INSPECTION:

Check the following on a regular basis:

1. Hand brake: make sure it engages by squeezing the brake lever.
2. Wheels: check for alignment.
3. Pedals: inspect and make sure both are tightly attached to crank.
4. Handle grip: replace worn or loose grips.
5. Chain: check for proper tension  $\frac{1}{4}$  -  $\frac{1}{2}$ " up and down movement. (Replace damaged chain immediately).
6. Seat: adjust for ride comfort and safety. (Make sure nuts are tight).
7. Tires: keep tires inflated to the recommended pressure indicated on tire sidewall.
8. Frame: Replace damaged frame immediately.

**ATTENTION:** When your unit is new some noises may occur during the initial break-in, while the new parts wear to fit together. Unused parts can't break-in. Lubricant on chain and sprockets will help to quiet during initial break-in period usage. Should noises continue after more than 30 days of use, see dealer or local bike shop.



**Trailmate**

1851 67<sup>th</sup> AVE East  
Sarasota, FL 34243  
Tel: (941) 755-5511  
Fax: (941) 758-5141

Visit us @ [www.trailmate.com](http://www.trailmate.com)

**For service or to order  
replacement parts  
please contact your  
local Trailmate dealer.**

# JOY RIDER

This is a recreational unit, not designed for excessive speeds or misuse.

Do not brake or turn at high speeds. This may cause cycle to roll over. Careless operation may cause rider to lose control and result in **serious injury**.

## Things to know before riding your cycle:

1. Know your local bicycle laws and wear a helmet.
2. Do not exceed the recommended weight limit of 250 lbs.
3. No more than one rider at one time.
4. Do not stand on unit.
5. Be sure to install safety flags.
6. Wear light-colored clothing and protective gear.
7. Do not ride at night.
8. Children must be supervised by an adult at all times.

### Trailmate Limited Warranty

Trailmate, Inc., guarantees each cycle product against all defects in materials and workmanship for a period of 90 days from date of purchase. Tires and tubes are not covered by this guarantee.

During this period, any part that is judged by the makers to be defective will be replaced free of charge. Any failure resulting from accident, abuse, neglect, normal wear, or improper assembly or maintenance by the owner is not covered.

Trailmate, Inc., further authorizes a lifetime frame guarantee and will replace any frame, at no cost to the buyer, providing that item has not been used for rental use and that:

- 1) The item has not been altered, repaired, or modified in any way.
- 2) The item has not been subject to misuse, negligence, and/or an accident.
- 3) Original ownership is established.

Any parts under this guarantee on which claims are entered shall be returned for inspection with transportation charges prepaid by the claimant. Replacement parts will be shipped F.O.B. factory.

There are no warranties or guarantee, expressed or implied, written or oral, which extend beyond the description on the face hereof.